



THINK
CONCRETE
GO
PRECAST

Ingenieursbureau Jan Van Aelst
Jan Van Aelst

FDA Architecten & Ingenieurs
Jan Denkens

AZ Groeninge - Kortrijk

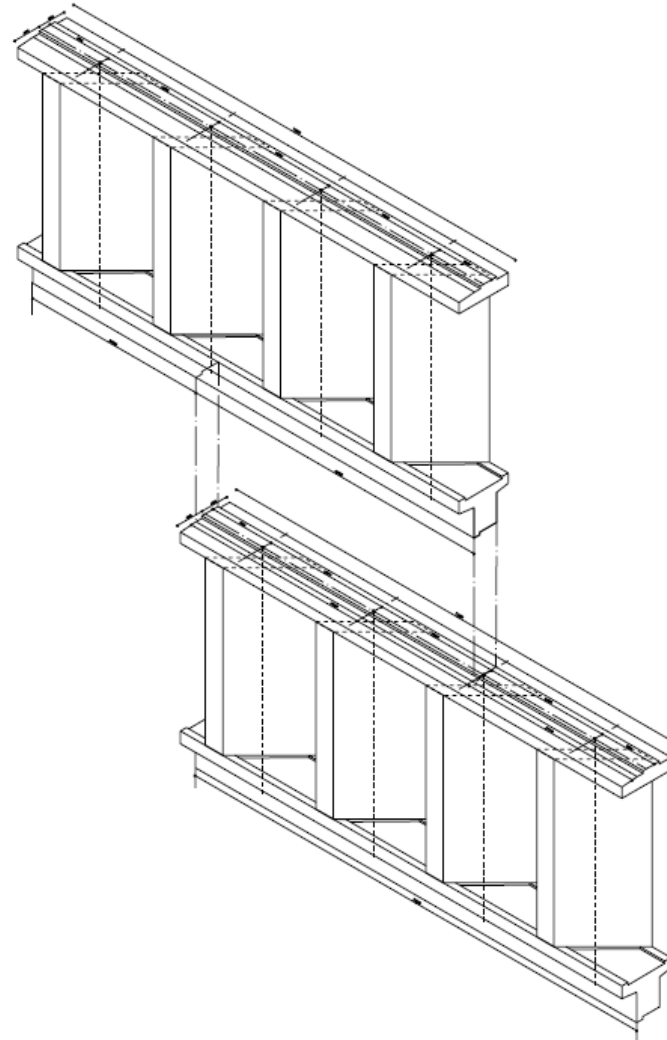
3RD EUROPEAN
COLLOQUIUM

INSPIRATION
WITHOUT
LIMITS



AZ GROENINGE

Gevel old 1
Façade old 1



THINK
CONCRETE

GO
PRECAST

3RD EUROPEAN
COLLOQUIUM

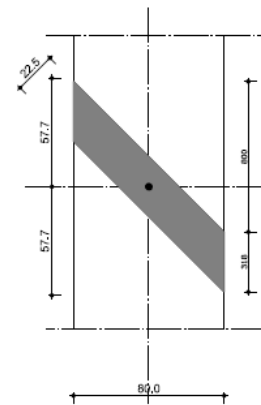
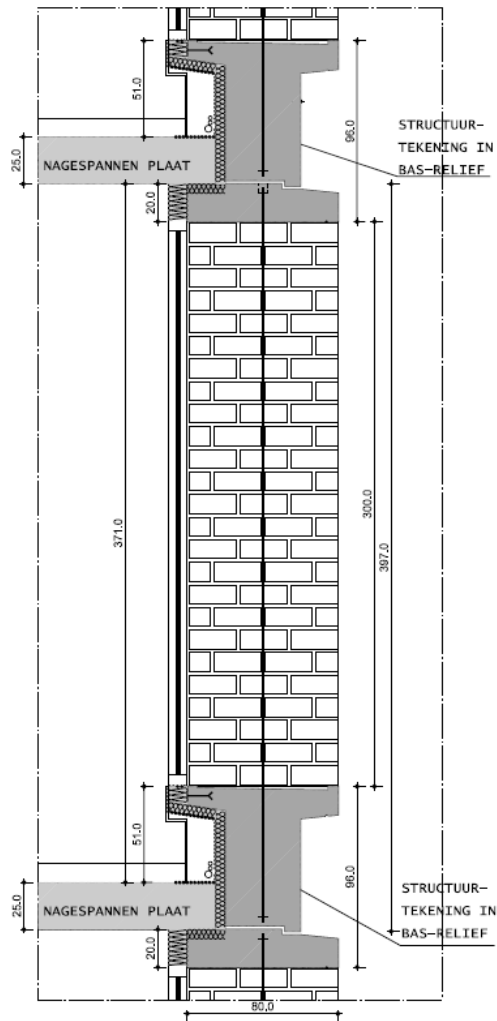
INSPIRATION
WITHOUT
LIMITS



AZ GROENINGE



Gevel old 2
Façade old 2



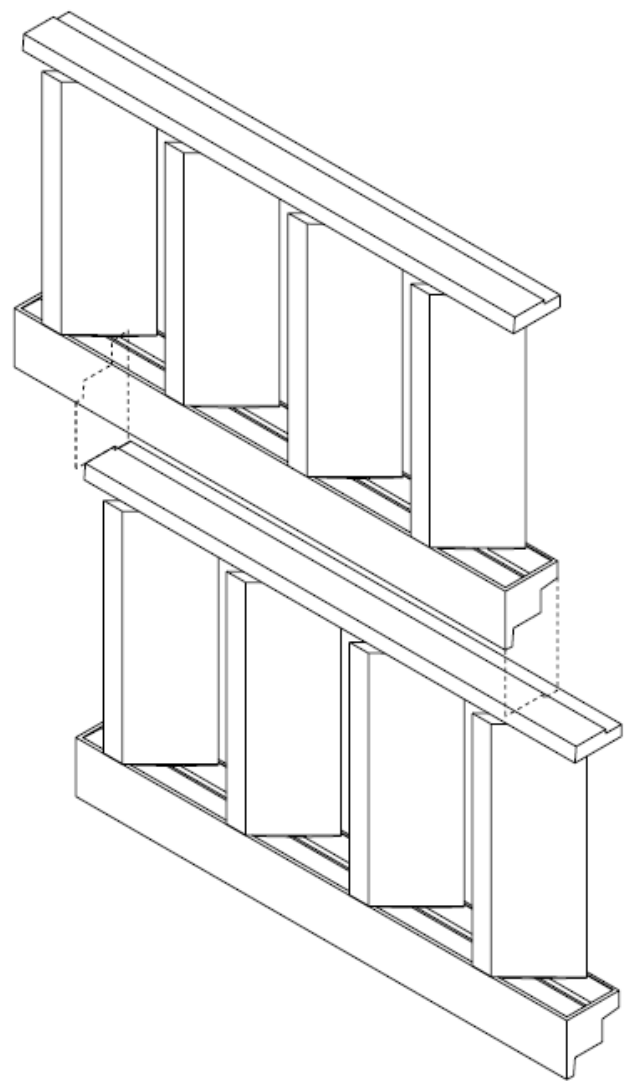
3RD EUROPEAN COLLOQUIUM

INSPIRATION WITHOUT LIMITS



AZ GROENINGE

Gevel new 1
Façade new 1



THINK
CONCRETE
GO
PRECAST

3RD EUROPEAN
COLLOQUIUM

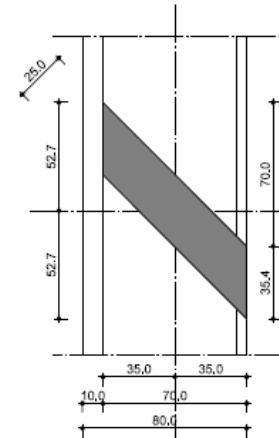
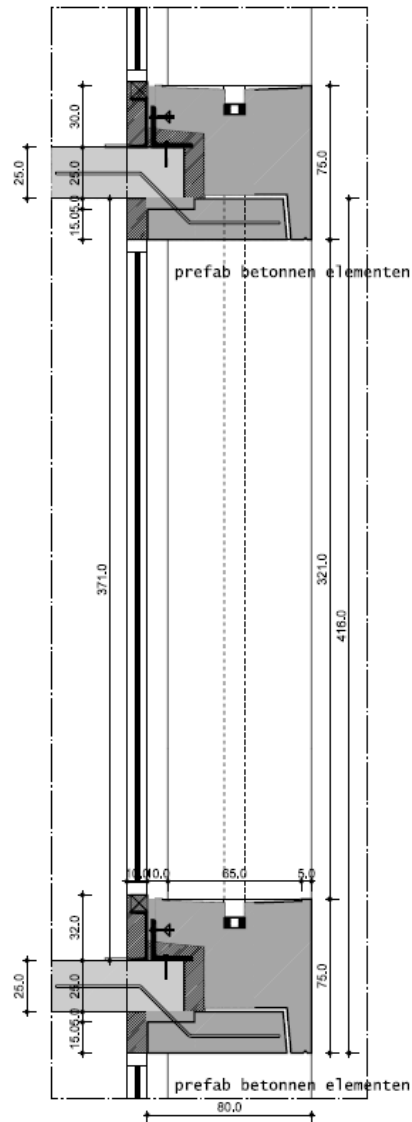
INSPIRATION
WITHOUT
LIMITS



AZ GROENINGE

THINK
CONCRETE
GO
PRECAST

Gevel new 2
Façade new 2



3RD EUROPEAN
COLLOQUIUM

INSPIRATION
WITHOUT
LIMITS



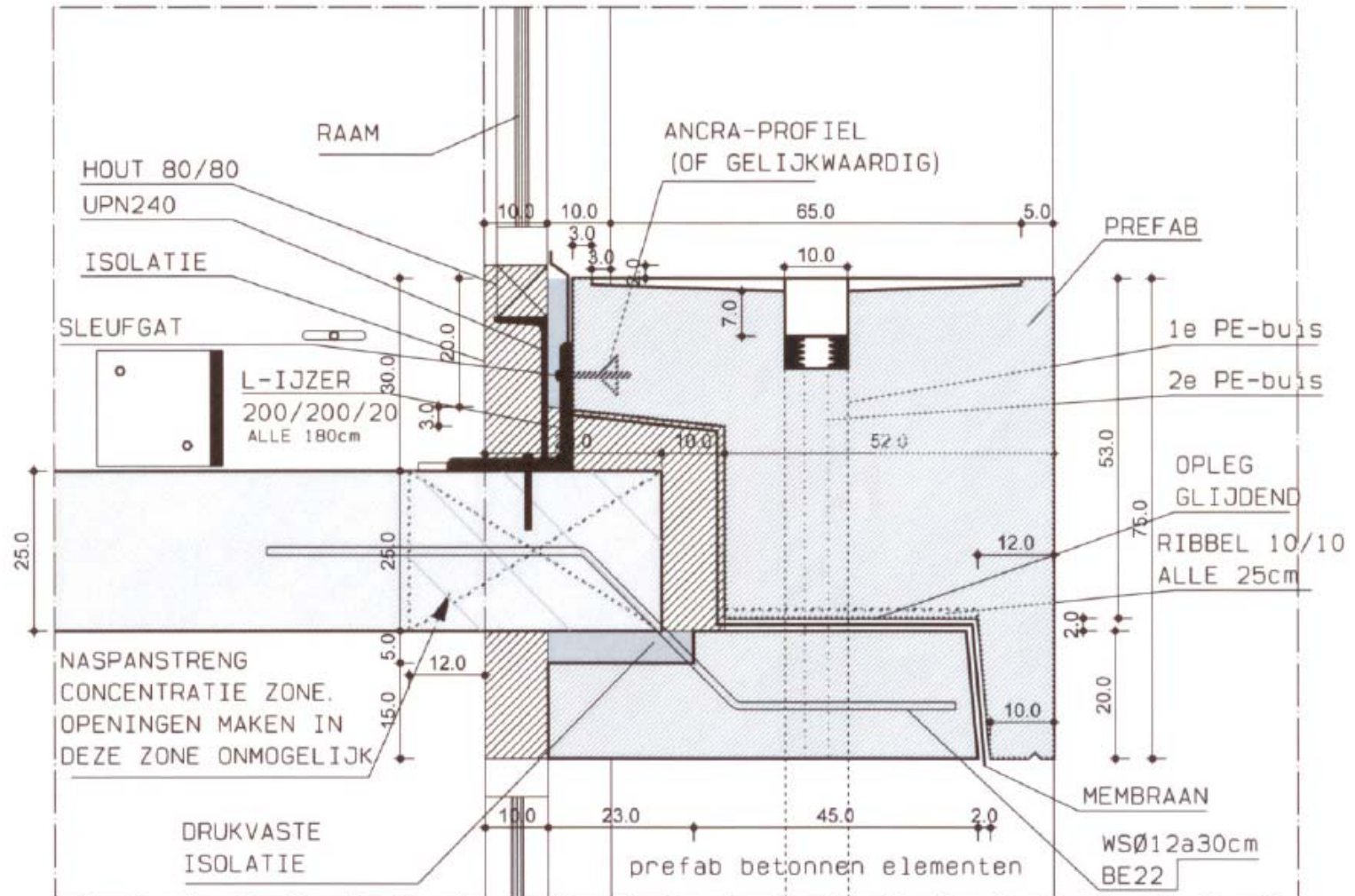
AZ GROENINGE

THINK
CONCRETE



GO
PRECAST

PRINCIPE VERTIKALE SNEDE



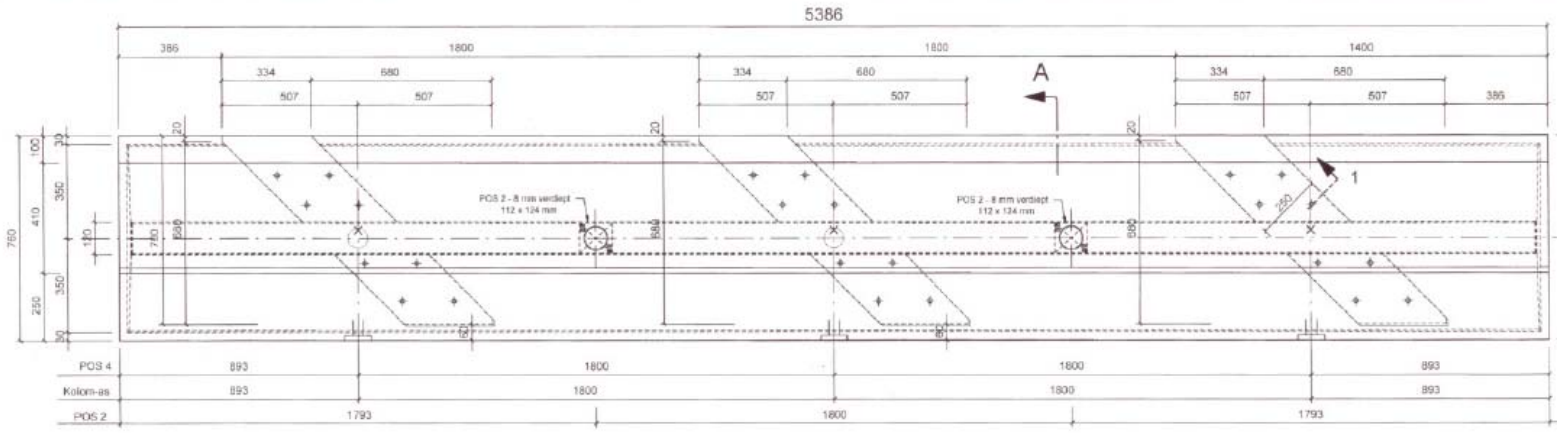


AZ GROENINGE

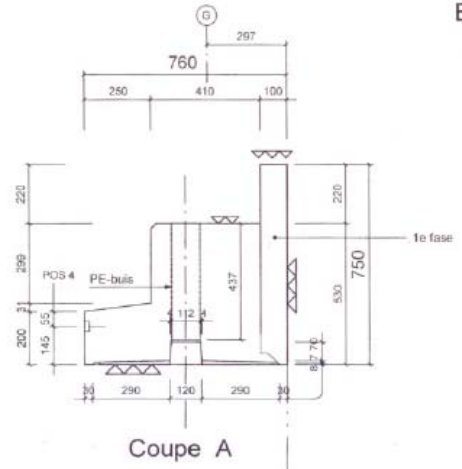
THINK
CONCRETE



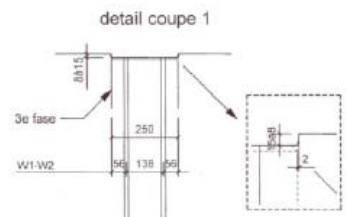
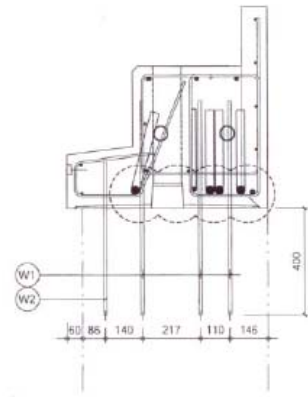
PRÉFADIM BELGIUM		ELT. NR.: ELT. N°: 2-S2RW2	STUKS: PIECES: 1	GRJS BETON GRIS: RUW - RUGUEUX	SIER BETON ARCHITECTONIQUE: UITGEWASSEN - LAVÉ	IND. A	DATUM-DATE: 18-04-2006	ACCESSOIRES - TYPE:		sch-ech 1115														
verfchandler klant/clients: AZ GROENINGE CORDEEL NV		VOLUME: FASE: 1,391 m ³	KG. FASE: 3478	AFGESTREKEN - LISSE MANUELLEMENT	GEZUIRD - ACIDE			POS 2	2	buis PE - base PE 90 L=437 + 2 nagelklossen														
DOSSIER CODE: 05 1173 AZG ART: 01 STAL-ECHTAKKLEON: ELISABETH 00		KG. TOT: 4458 KG		GLAD BEKIST - LISSE DE COFFRAGE				POS 4	3	rails type HTA 38/17 x 100 Galva														
BENOR (onderdeel van BSOBON)				STRUCTUURBETON - BETON STRUCTURE																				
				GEPOLIERD - POLI																				
BESTORT-COULE		1	2	3	4	5	6	7	8	9	10	11	12	13	14	15	16	17	18	19	20	21	22	23
classse BETON Klasse																				classse STAAL-ACIER				
																				C 40/50				
																				DE 500 BS				
Dekking - Errobage		30 mm																		Blootstellingst. - CL d'Exposition	28			



Bovenzicht bekisting - coffrage, vue en plan



Coupe A



Wapening - armatures

W1	3x6 Ø12	800
W2	3x2 Ø12	550

overige wapening: zie 1^e fase
autres armatures: voir 1^e phase

3RD EUROPEAN
COLLOQUIUM

INSPIRATION
WITHOUT
LIMITS